

Dear Customer,

We want to thank you for choosing this product. Our company is a leading reference point in the field of the construction of painting machinery and systems. Our company has always meant great reliability, quality and safety. All our products have been designed and manufactured to guarantee the best performance ever. We feel confident we have further improved working standards and we are certain we have met all safety requirements, because our units have the DECLARATION OF CONFORMITY to European Directives.

THE MANAGEMENT

GENERAL CONTENTS

	Page
1 Information letter and Use of the manual	9
2 Symbols used	9
3 Packaging/Storage.....	9
4 Inspection of purchased product.....	9
5 Machine description	9
6 Descriptive drawing.....	10
7 Technical features	10
8 Identification data	10
9 Paints, fluids and adequate products.....	11
10 Dangerous and improper uses	11
11 Safety regulations	11
12 Safety regulations to follow during use	12
13 Installation	12
14 Maintenance.....	12
15 Spare parts	13
16 Spray guns and optional components	13
17 Technical data.....	13
18 Suggestions in case of malfunctioning	13

1 INFORMATION LETTER AND USE OF THE MANUAL

This use and maintenance manual is an integral part of the machine and the user must have knowledge of its content. Although the main features of the machine described in this manual are not subject to change, our company reserves the right to change those components, details and accessories it deems necessary to improve the machine or to meet manufacturing or commercial requirements, at any time and without updating this manual immediately. ALL RIGHTS ARE RESERVED. The reproduction of any part of this manual, in any given form, without prior written authorization from our company, is strictly forbidden.

2 SYMBOLS USED



It represents the operations which might be dangerous if not performed correctly.



It represents the operations which, in order to avoid risks, must be performed by trained and authorized personnel.

All personnel in charge of using the machine must be thoroughly trained; all the above information must be thoroughly understood and applied.

3 PACKAGING/STORAGE

To transport the machine, it is packaged in a cardboard box. All optional components (pipes, filters, fittings, etc.) are placed with the machine, in the same cardboard box. When storing the machine, make sure the surrounding temperature remains included between -15° and 40°C or, if storage operations last 24 hours or less, do not exceed 60° . Also make sure the humidity values in the storage area remain included between 30 and 80%.

4 INSPECTION OF PURCHASED PRODUCT



The original configuration of the painting machine cannot be changed at all. **Original accessories and spare parts always guarantee all safety regulations.**

When receiving the machine check that:

- The package is intact and without damages.
- All the documentation, necessary for the correct installation and use of the machine, is present.
- The pipe does not present damages or cuts which could compromise its functioning.



In case of damages inform the reseller.

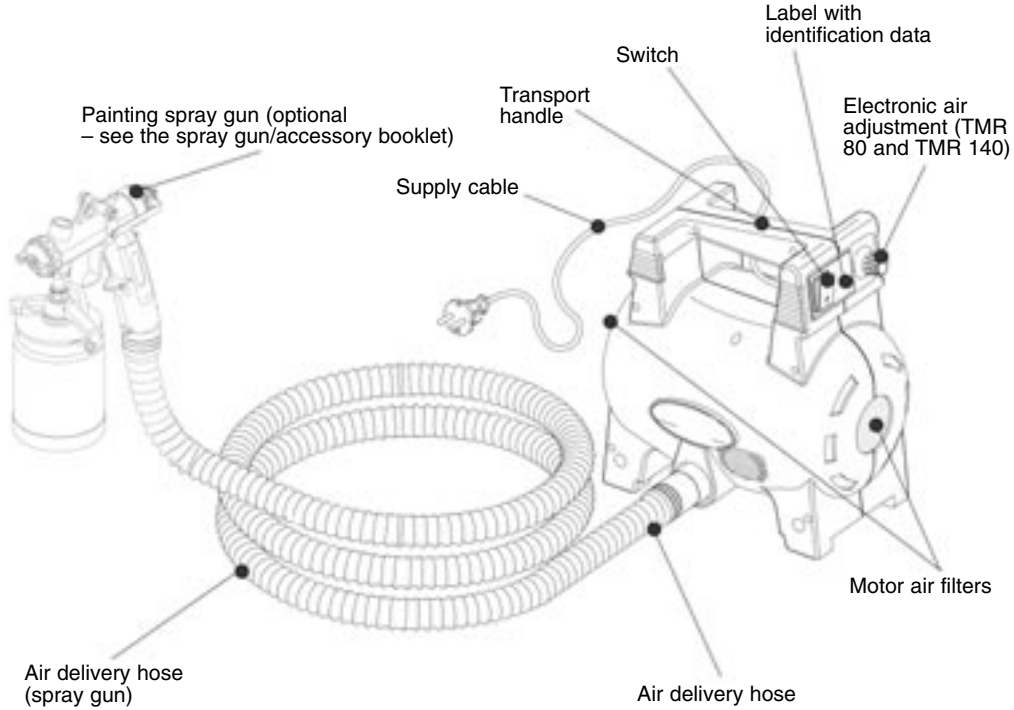
The blowing unit is delivered with the following standard components:

- ☞ 3 m. flexible hose (only for TMR 55 and TMR 80).
- ☞ 7 m. flexible hose (only for TMR 140).
- ☞ 2 Spare air filters.
- ☞ 1 Use manual with Declaration of Conformity and Warranty.

5 MACHINE DESCRIPTION

Spray painting machine able to supply a great low-pressure air volume (HVLV), characterized by great practicality, versatility and simplicity of use. The air flow rate can be adjusted (in the models TMR80-TMR140), thus allowing you to paint with speed, precision and safety, bringing down costs and respecting the environment, with a limited “fog effect”. The machine can be combined with a great quantity of accessories; therefore it can be personalized according to one’s own use.

6 DESCRIPTIVE DRAWING



7 TECHNICAL TECHNICAL

The blowing unit is fed by a single-phase electric voltage between 220-230/240W and 50/60Hz. The fan coupled motor generates an air flow which, canalized into the feed pipe, reaches the spray gun nozzle. The air flow rate can be adjusted by means of the proper knob (on the models TMR80-TMR140) to optimize the quantity and paint finishing of the covering product also according to its density/viscosity. The **high volume at low pressure** provides the pulverization of the covering product and, wrapped at the same time by the air blast, deposits it in a “soft” and precise way on the support which has to be painted. Therefore the system allows to prevent or restrict the “fog effect”, thus reducing the dispersal of the sprayed materials in the air. The performance is therefore improved, and this also helps the operator’s health and the environment. The machine also produces **hot** (between 20° and 90°) and **dry** air (by reducing the relative humidity of about 40%), thus providing a better and faster drying of the material, especially in case of synthetic enamels. All components are of high quality and purpose-made.

8 IDENTIFICATION


The manufacturer identification and CE conformity plate is placed on the front panel. **The plate must not be removed for any reason.**

9 PAINTS, FLUIDS AND ADEQUATE PRODUCTS

Adequate products	TMR55	TMR80	TMR140
Water-based or solvent-based paint (enamels, antirust paints, primers, flattening varnishes, etc.)	✓	✓	✓
Wall paintings (tempera, water paints, multicolour paints, fine quartz paints, etc.)	✓	✓	✓
Plastic covering materials with granulometry of Max. 3mm., which can be applied by means of a spray gun MBL.			✓

In order to obtain products with good features of mechanical resistance and resistance to the atmospheric agents, it is necessary to follow the rules established by the manufacturer of the covering paints. Therefore prepare the products to be used following the manufacturer’s instructions.

10 DANGEROUS AND IMPROPER USES

 Using the unit in a different way than indicated by the manufacturer could damage the equipment and endanger the operator. The unit is not designed to use dangerous, explosive and/or toxic materials and herbicides.

Our company is not responsible for accidents deriving from the use of the machine by NOT TRAINED and not qualified personnel, for aims different from the ones indicated above.

11 SAFETY REGULATIONS

Warning! Respect the following **safety regulations for the use of electric tools** in order to protect yourself against electric shocks, dangers of lesions or fire.

Consider the working environment:

- Do not expose electric tools to rain and do not use them in moist or wet environments;
- Provide for a good lighting;
- Do not use electric tools in areas with risk of fire, near liquids or inflammable gases;
- Do not work in closed environments without an adequate change of air.

Protect yourself against electric shocks:

- Avoid the contact with grounded components (hoses, hot plates, refrigerators, electric heaters);

Keep the tools in a safe place:

- The tools not currently used must be put in a dry and well-sheltered place;
- Not trained people must keep away from the machine; above all, it cannot be placed in areas easily reachable by children;

Do not use the cables for aims different from the expected ones:

- Do not transport the tool by its cable and do not extract the plug by pulling the cable.
- Protect the cable against oil, acids, heat sources and sharp edges;

Take care of the tools:

- Keep the tools clean and always efficient by following the use and maintenance instructions;
- Check the plug, the cable and the switch periodically, and, in case of damages, they must be replaced by skilled personnel.

Net plug:

- In order to perform cleaning or maintenance operations always extract the net plug;

Avoid accidental starts:

- Never transport the tools connected to the net when your fingers or hands are on the switch;

Supply extension cable:

- In order to use it outdoors, use only type approved extension cables for external use, and replace them if they are damaged.

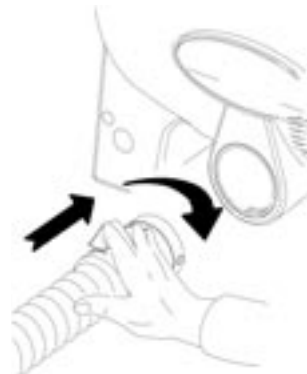
12 SAFETY REGULATIONS TO FOLLOW DURING USE

- The machine cannot be used in explosion-prone areas;
- Incendiary sources such as free flames, cigarette smoking, sparks, incandescent wires, and overheated surfaces, etc. must not be present in the environment during use;
- Make sure no solvents and/or substances evaporating during use are sucked up by the machine;
- Make sure the area is well ventilated during use, and consider the direction of the wind if you are using it outdoors;
- During the spraying, always place the machine behind the operator and never direct the jet in the direction of the machine itself;
- The operators must wear the suitable protections during the spraying operations (protective masks, gloves, clothing, etc.);
- Always check the supply voltage comparing it with the data reported on the plate;
- Switch off the machine immediately when you hear noises or you fear possible accidents;
- Use only original spare parts;
- The possible damaged units must be repaired only by authorized Customer Care Service.

Our company declines every responsibility whatsoever in case the user does not observe said safety criteria; furthermore, it is not responsible for any kind of negligence when using the equipment or tampering.

13 INSTALLATION

- Using the two-pin connection (bayonet connection), connect the hose to the turbine side, by making it turn clockwise without forcing it till blocking (see the drawing).
- Connect the other end of the hose (the one provided with a conical connection) to the spray gun handle.
- Connect the supply plug, respecting the net voltage indicated on the plate (in the model TMR 140 the voltage presence indicator turns on).
- Press the main switch.
- When varying the air flow rate by means of the adjusting knob of the models TMR 80 and 140, it is possible to change the quantity and the paint finishing of the product according to its density/viscosity.



14 MAINTENANCE

The two filters must be replaced periodically, or when dirty or clogged. They are placed one in the front area and one in the back area of the machine. They can be easily extracted from

the central hole by using two fingers. The new filters must be put back by following the same procedure and making them adhere to the hole inner surface. Their clogging impairs the motor good functioning. If they are not replaced, the motor can even burn (thus making the warranty expire).



15 SPARE PARTS

- Air suction filter. **Code FIL03.**
- 3m. hose with two connections. **Code ATC03** only for TMR55 and TMR80 models.
- 7m. hose with two connections. **Code ATC04** only for TMR140 model.

16 SPRAY GUNS AND OPTIONAL COMPONENTS

See the booklet.

17 TECHNICAL DATA

	TMR55	TMR80	TMR140
Motor type	Self-extinguishing double insulation	Self-extinguishing double insulation	Self-extinguishing double insulation
Supply voltage	*approx. 220/230 V, 50/60 Hz	*approx. 220/230 V, 50/60 Hz	*approx. 230/240 V, 50/60 Hz
Electrical input	max. 2.3 A (approx.)	max. 3.8 A (approx.)	max. 5.9 A (approx.)
Electric power absorbed	550W	800W	1400W
Fan group	Two-stage	Two-stage	Three-stage
Quantity of air delivered	1500l/min.	535-1850l/min.	1035-1900l/min.
Pressure	0.14 bar	**0.05-0.21 bar	**0.13-0.32 bar
Operating temperature	from -10°C to +40°C	from -10°C to +40°C	from -10°C to +40°C
Air delivery hose	3m	3m	7m
Electric wire	7m	7m	7m
Size	300x220x310mm	300x220x310mm	300x220x310mm
Weight	4.5Kg	5Kg	5.5Kg

*Voltage of about 100-115-240V on request

**With air flow adjuster

18 SUGGESTIONS IN CASE OF MALFUNCTIONING

Problem	Probable cause	Solution
The turbine does not start	– There is no current.	– The plug is not connected to the net; – Check the net voltage.
	– The turbine switch, cable or plug are damaged.	– Check the switch, the cable and the plug; – Call the Customer Care Technical Service.
The air flow is too high and/or low	– The air filter is dirty.	– Replace the air filter.
	– The air delivery hose is damaged.	– Call the Customer Care Technical Service.
	– The air delivery hose has not been tightened in the correct way.	– Check the air delivery hose tightening.
The turbine makes noise	– The motor is damaged.	– Call the Customer Care Technical Service.